

Chicago Valves

& Controls



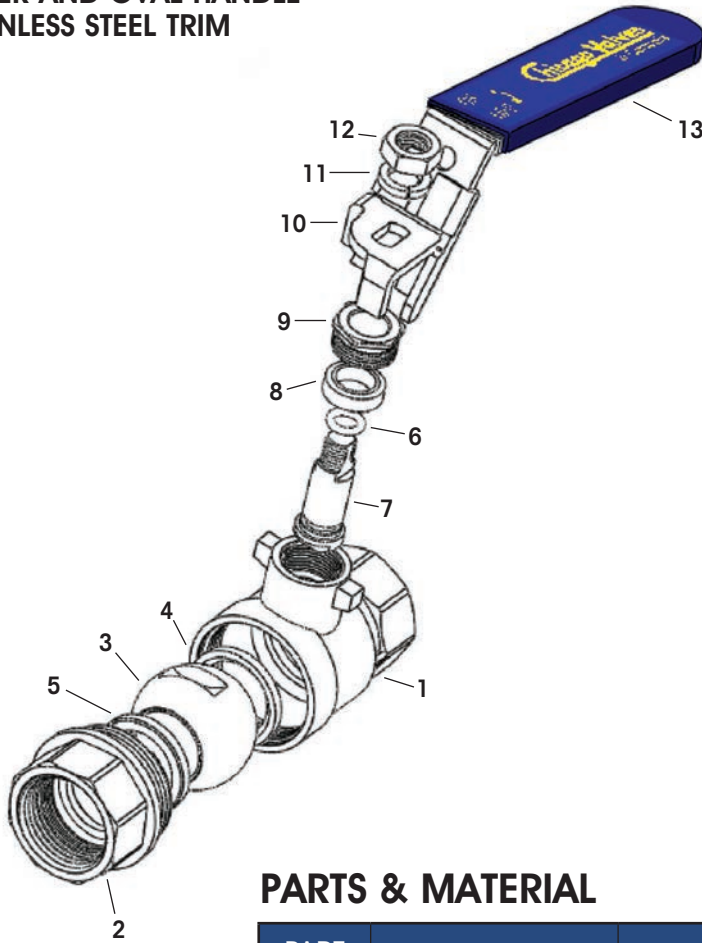
SERIES 11

FULL PORT 2 PC BRASS

BALL VALVE

600 CWP
FORGED BRASS
BLOWOUT PROOF STEM
LOCKABLE LEVER AND OVAL HANDLE
BRASS OR STAINLESS STEEL TRIM

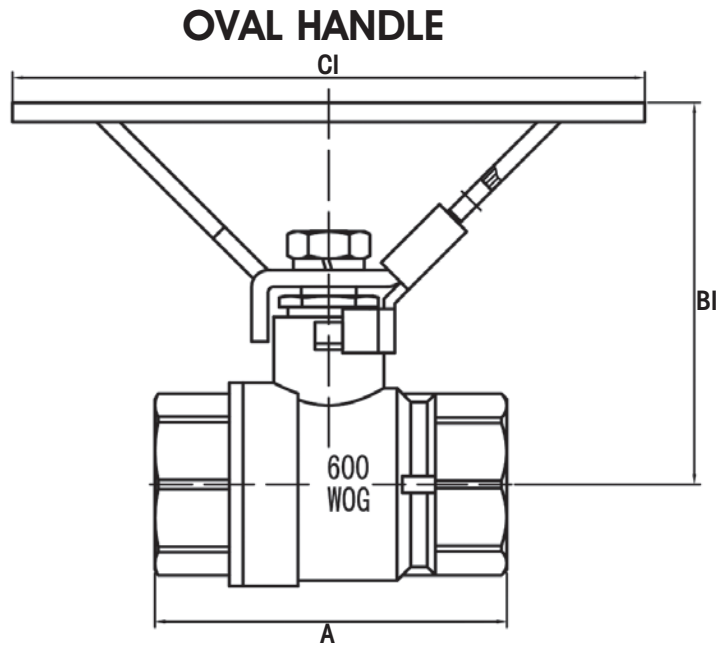
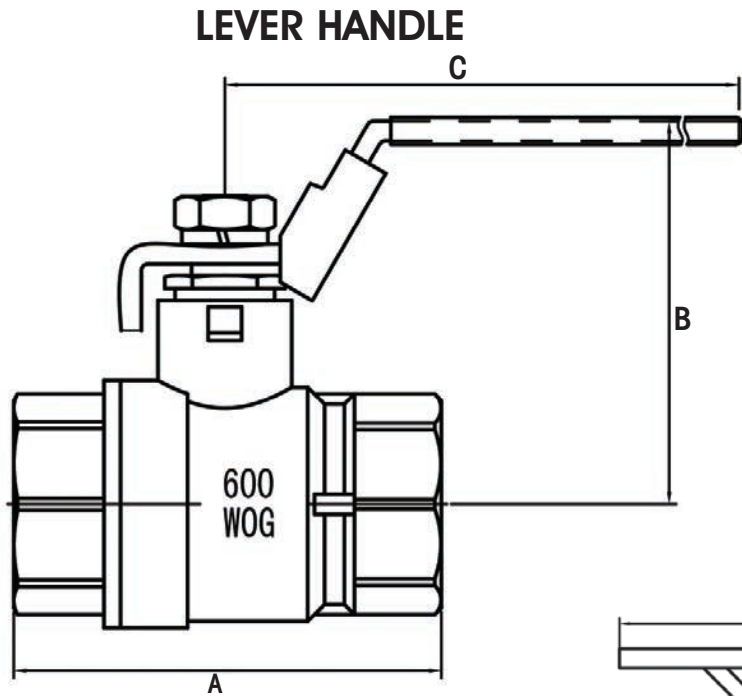
Series 11



PARTS & MATERIAL

PART NO.	PART NAME	QTY.	MATERIAL
1	Body	1	Brass C37700
2	End Piece	1	Brass C37700
3	Ball	1	Brass/304 Stainless
4	Seat	1	PTFE
5	Seat/Seal	1	PTFE
6	O-Ring	1	NBR
7	Stem	1	Brass/304 Stainless
8	Packing	1	PTFE
9	Packing Nut	1	Brass C37700
10	Handle	1	Plated Steel
11	Lock Washer	1	Plated Steel
12	Handle Nut	1	Plated Steel
13	Handle Sleeve	1	PVC

Series 11



DIMENSIONS (INCHES)

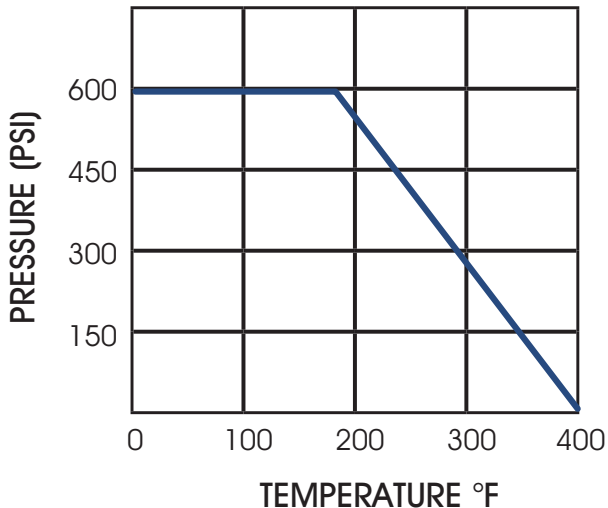
SIZE	A	B	C	BI	CI
1/4"	1.73	2.11	4.48	2.09	3.39
3/8"	1.75	2.11	4.48	2.09	3.39
1/2"	2.24	2.60	4.48	2.22	3.39
3/4"	2.52	2.84	4.81	2.59	4.53
1"	2.97	3.01	4.81	2.74	4.53
1 1/4"	3.44	3.36	5.59	3.67	6.30
1 1/2"	3.88	3.61	5.59	3.89	6.30
2"	4.29	3.91	5.59	4.18	6.30
2 1/2"	5.53	4.83	7.68		
3"	6.14	5.98	7.95		
4"	7.79	5.98	8.86		

APPLICABLE STANDARDS

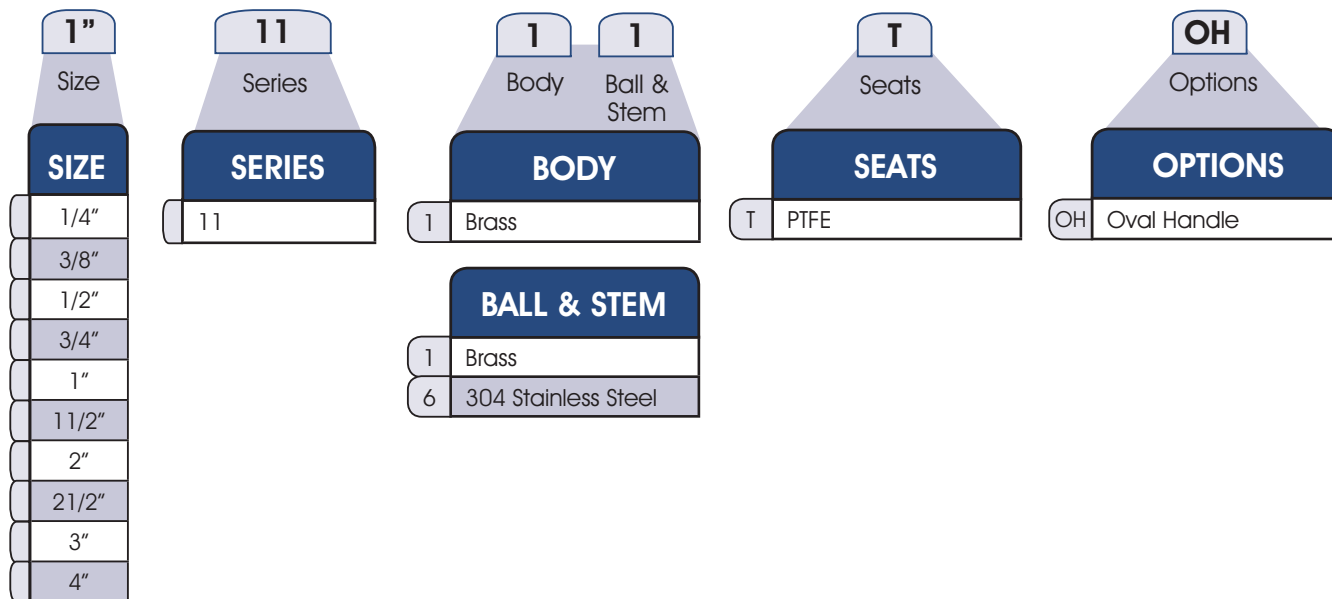
CSA	ANSI Z21.15/CSA 9.1 For 1/2 psig
CSA	ASME B16.44/CR91-002 For 5 psig
CSA 1/2"-2"	ASME B16.33/CGA3.16 For 125 psig
CSA	ASME B16.38/CGA3.16 For 125 psig
THREADED ENDS	ASME B16.11

SIZE	CV (GPM)	WEIGHT (lbs)
1/4"	5	0.31
3/8"	5	0.29
1/2"	24	0.44
3/4"	35	0.75
1"	47	1.10
1 1/4"	81	1.75
1 1/2"	1.5	2.40
2"	240	3.70
2 1/2"	320	7.30
3"	580	10.00
4"	970	18.50

PRESSURE - TEMPERATURE RATING SERIES 11



HOW TO ORDER



Chicago Valves
& Controls



Toll-Free (833) 831-2312

Local (312) 637-3557

Fax: (312) 637-3543

E-Mail: sales@chicagovalves.com

www.chicagovalves.com

885 Cambridge Dr.

Elk Grove Village, Illinois 60007 U.S.A.